

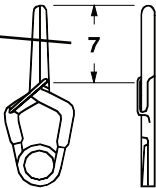


Aneurysm Clips

Instructions for the Catalogue System / Colour Coding	3
Packaging & Labeling	4
Serial Number / Closing Force / Link Design	5
Features of the Clip	6
Permanent Aneurysm Clips	
Standard Aneurysm Clips	8 - 10
Fenestrated Clips 3.5mm	11
Fenestrated Clips 5.0mm	12 - 13
Temporary Aneurysm Clips	
Standard Aneurysm Clips	14 - 16
Fenestrated Clips 3.5mm	17
Fenestrated Clips 5.0mm	18 - 19
Mini Permanent Aneurysm Clips	21
Mini Temporary Aneurysm Clips	22
Standard Applying Forceps	
Memory, Titanium applying forceps	24
“Caspar”-Ring Handle , Titanium applying forceps	25
Titanium applying forceps	26
Adjust Key for Rotating Jaws	27
Titanium Remover	28
Mini Applying Forceps	
Memory, Titanium applying forceps	29
“Caspar”-Ring Handle , Titanium applying forceps	30
Titanium applying forceps	31
Adjust Key for Rotating Jaws	32
Titanium Remover	33
Accessories	
PPSU Sterilisation and Utility Tray for Storage	35 - 37

Instructions for the Catalogue System

Productcell

Cat. No. Titan Ti 6Al 4V / ISO 5832-3

	50-010.01TI
Jaw Length	
Max Opening	 6,2 mm
Closing Force in N and g	 1,47 N 150g

Colour Coding

The Colour coding allows an easy and safe identification of the permanent (blue or pink coloured) and temporary (gold coloured) clips.



Standard Permanent Titanium - Blue coloured



Mini Permanent Titanium - Pink coloured



Standard Temporary Titanium - Gold coloured



Mini Temporary Titanium - Gold coloured

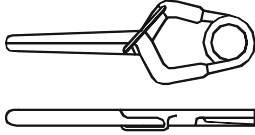
Labeling

Labels, showing the part number and serial number, as sure a clear identification of each clip. Additional labels can be attached to the patient's records. Further information of the product (e.g. closing force, product description or maximum opening) is printed on the label of the outer packaging.





ORIHOMEDICAL Hauptstraße 5
G m b H · I M P L A N T S 78589 Dürbheim
TEL: 07424 94030
Fax: 07424 940343



REF 50-010.02TI R:02
Made in Germany

Yasargil Aneurysm Clip **R_x only**
TITANIUM STANDARD permanent



CLOSING FORCE: 182,6g/ 1,79 N
Tolerance Range: $\pm 7,5\%$
Yasargil Titanium Clip Standard perm.
straight 9mm, Closing force 180g
max. Opening 7,0mm
Jaw profile: serrated
Material: 3.7165 / ISO 5832-3

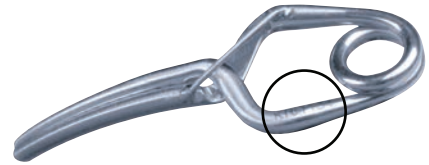




=MR CONDITIONAL

SN Q363167  2016-01  0483

WARNING: POTENTIAL RISK OF ENDOTOXIN CONTAMINATION SHOULD THE CLIP BE REMOVED FROM THE PROTECTIVE PACKING IN A NON STERILE ENVIRONMENT

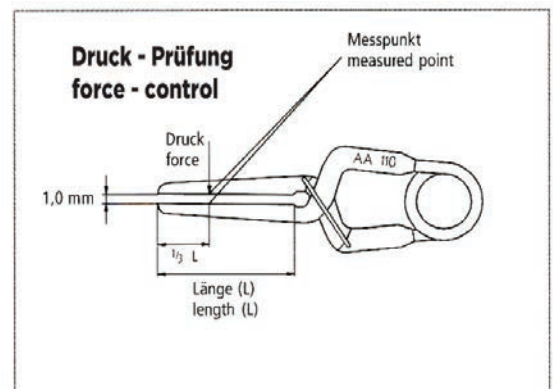
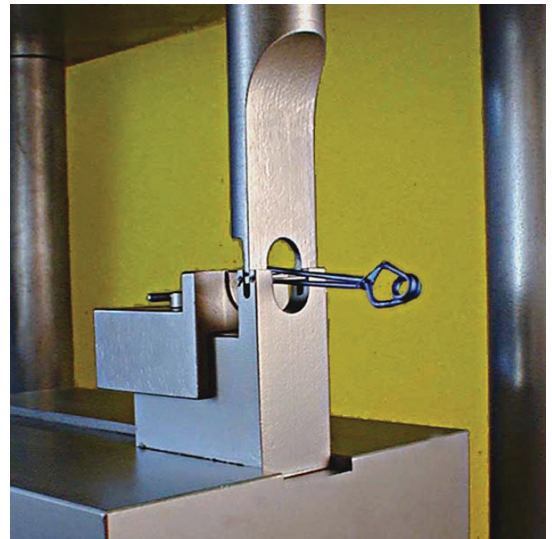
Serial Number

Each clip is marked with an individual serial number. The serial number guarantees a detailed follow-up of the whole production process, the closing force and from the raw material to the final product.



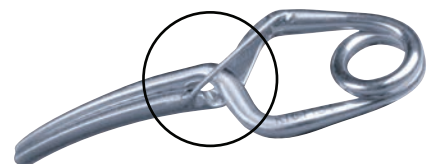
Closing Force

By using a computer controlled measuring equipment the closing force at one third of the jaw length and an opening of 1.0mm can be measured. Strict quality controls assure a constant closing force within the tolerance range. All relevant technical data is stored during the control procedure and printed on the label.



Link Design

The laser welded link ensures the precise guidance of the jaws and a "soft" opening of the clip during the whole spreading process. The contact surfaces of the jaws are guided symmetrically in an exact way "over the whole length". This fact guarantees an additional stability of the clip. The link design limits the maximum opening and prevents an overstress of the material.



Features of the Clip

Atraumatic Jaw Profile

The pyramid formed profile of the jaw counteracts the slipping-effect effectively. The tissue can fit into the structure of the inner surface of the jaws. This structure doubles the tissue-holding area and enables an equably distribution of the pressure.



Material / MRI-Compatibility

The Yasargil Aneurysm Clips are made of titanium according to ISO 5832-3 or Phynox according to ISO 5832-7. Both materials for implants meet high quality requirements. Every Yasargil Aneurysm Clips is tested and is therefore MRI-compatible up to a field strength of 3 Tesla.





Yasargil Standard Aneurysm Clip System

STANDARD PERMANENT TITANIUM



Permanent, Titanium

Clip Part No	50-010.01TI	50-010.02TI	50-010.03TI	50-010.04TI	50-010.05TI	50-010.06TI
Form						
Max Open	6,2 mm	7,0 mm	7,8 mm	9,2 mm	10,6 mm	11,4 mm
Closing Force	1,47 N 150g	1,77 N 180g	1,77 N 180g	1,96 N 200g	1,96 N 200g	1,96 N 200g

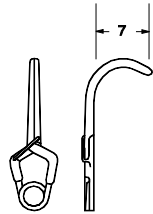
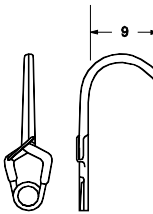
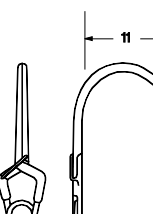
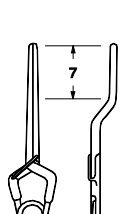
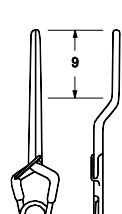
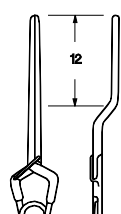
Clip Part No	50-010.07TI	50-010.08TI	50-010.09TI	50-010.10TI	50-010.11TI	50-010.46TI
Form						
Max Open	13,3 mm	6,0 mm	6,8 mm	7,5 mm	8,7 mm	9,8 mm
Closing Force	1,96 N 200g	1,47 N 150g	1,77 N 180g	1,77 N 180g	1,96 N 200g	1,77 N 180g

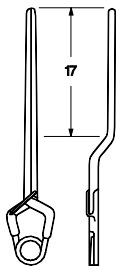
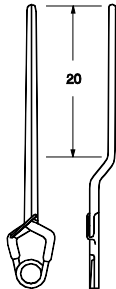
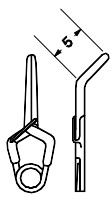
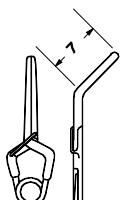
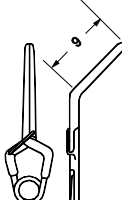
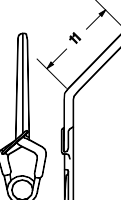
Clip Part No	50-010.12TI	50-010.13TI	50-010.14TI	50-010.15TI	50-010.16TI	50-010.17TI
Form						
Max Open	11,0 mm	5,5 mm	6,1 mm	6,5 mm	7,4 mm	9,9 mm
Closing Force	1,96 N 200g	1,47 N 150g	1,77 N 180g	1,77 N 180g	1,96 N 200g	1,96 N 200g

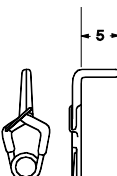
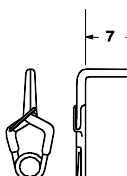
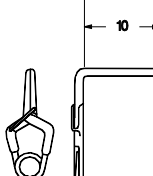
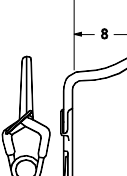
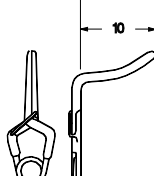
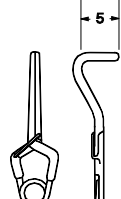


STANDARD PERMANENT TITANIUM

Permanent, Titanium

Clip Part No	50-010.18TI	50-010.19TI	50-010.20TI	50-010.21TI	50-010.22TI	50-010.23TI
Form						
Max Open	5,4 mm	5,8 mm	6,2 mm	7,9 mm	8,7 mm	10,2 mm
Closing Force	1,77 N 180g	1,77 N 180g	1,77 N 180g	1,96 N 200g	1,96 N 200g	1,96 N 200g

Clip Part No	50-010.24TI	50-010.25TI	50-010.26TI	50-010.27TI	50-010.28TI	50-010.29TI
Form						
Max Open	11,9 mm	13,0 mm	6,2 mm	6,5 mm	7,2 mm	8,4 mm
Closing Force	1,77 N 180g	1,77 N 180g	1,96 N 200g	1,96 N 200g	1,96 N 200g	1,96 N 200g

Clip Part No	50-010.30TI	50-010.31TI	50-010.32TI	50-010.33TI	50-010.34TI	50-010.35TI
Form						
Max Open	5,6 mm	5,6 mm	5,6 mm	5,4 mm	5,6 mm	7,2 mm
Closing Force	1,96 N 200g	1,96 N 200g	1,96 N 200g	1,96 N 200g	1,96 N 200g	1,96 N 200g



Permanent, Titanium

Clip Part No	50-010.36TI	50-010.37TI	50-010.38TI	50-010.39TI	50-010.40TI	50-010.42TI
Form						
Max Open	7,2 mm	8,2 mm	5,7 mm	8,0 mm	6,2 mm	8,0 mm
Closing Force	1,96 N 200g	1,96 N 200g	1,96 N 200g	1,96 N 200g	1,96 N 200g	1,96 N 200g

Clip Part No	50-010.43TI	50-010.44TI	50-010.45TI	50-010.41TI
Form				
Max Open	8,0 mm	8,0 mm	5,5 mm	7,5 mm
Closing Force	1,96 N 200g	1,96 N 200g	1,77 N 180g	1,96 N 200g

Booster Clips

Clip Part No	50-011.01TI
Form	
	The Booster Clip increases the closing force of Standard Aneurysm Clips



STANDARD PERMANENT TITANIUM

Standard Permanent, Fenestrated 3.5mm, Titanium

Clip Part No	50-020.10TI	50-020.11TI	50-020.12TI	50-020.01TI	50-020.02TI	50-020.03TI
Form						
Max Open	7,4 mm	7,4 mm	7,4 mm	7,4 mm	8,4 mm	9,6 mm
Closing Force	1,47 N 150g	1,47 N 150g	1,47 N 150g	1,47 N 150g	1,47 N 150g	1,77 N 180g

Clip Part No	50-020.04TI	50-020.05TI	50-020.06TI	50-020.07TI	50-020.08TI	50-020.09TI
Form						
Max Open	5,8 mm	6,5 mm	7,2 mm	4,9 mm	4,9 mm	4,9 mm
Closing Force	1,47 N 150g	1,47 N 150g	1,77 N 180g	1,47 N 150g	1,47 N 150g	1,77 N 180g



Standard Permanent, Fenestrated 5.0mm, Titanium

Clip Part No	50-025.30TI	50-025.31TI	50-025.32TI	50-025.01TI	50-025.02TI	50-025.03TI
Form						
Max Open	7,4 mm	7,4 mm	7,4 mm	7,9 mm	9,1 mm	10,3 mm
Closing Force	1,47 N 150g	1,47 N 150g	1,47 N 150g	1,47 N 150g	1,47 N 150g	1,77 N 180g

Clip Part No	50-025.04TI	50-025.05TI	50-025.33TI	50-025.06TI	50-025.07TI	50-025.08TI
Form						
Max Open	6,5 mm	7,2 mm	7,5 mm	7,8 mm	5,5 mm	5,5 mm
Closing Force	1,47 N 150g	1,47 N 150g	1,47 N 150g	1,77 N 180g	1,47 N 150g	1,47 N 150g

Clip Part No	50-025.34TI	50-025.09TI	50-025.35TI	50-025.10TI	50-025.11TI	50-025.12TI
Form						
Max Open	5,5 mm	5,5 mm	5,5 mm	7,9 mm	8,8 mm	10,0 mm
Closing Force	1,47 N 150g	1,77 N 180g	1,47 N 150g	1,47 N 150g	1,47 N 150g	1,77 N 180g



STANDARD PERMANENT TITANIUM

Standard Permanent, Fenestrated 5.0mm, Titanium

Clip Part No	50-025.13TI	50-025.14TI	50-025.15TI	50-025.16TI	50-025.17TI	50-025.18TI
Form						
Max Open	5,8 mm	5,8 mm	5,8 mm	5,8 mm	5,8 mm	5,8 mm
Closing Force	1,47 N 150g	1,47 N 150g	1,47 N 150g	1,47 N 150g	1,47 N 150g	1,77 N 180g

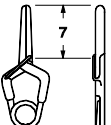
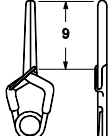
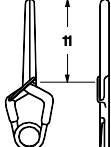
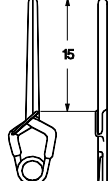
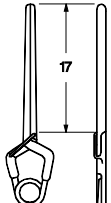
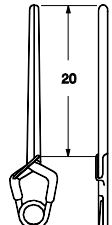
Clip Part No	50-025.19TI	50-025.20TI	50-025.21TI	50-025.22TI	50-025.23TI	50-025.24TI
Form						
Max Open	7,0 mm	7,8 mm	8,8 mm	5,8 mm	6,2 mm	5,8 mm
Closing Force	1,47 N 150g	1,47 N 150g	1,47 N 150g	1,47 N 150g	1,47 N 150g	1,47 N 150g

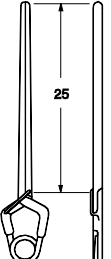
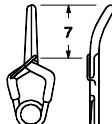
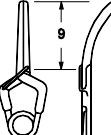
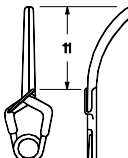
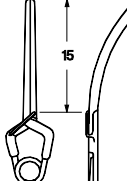
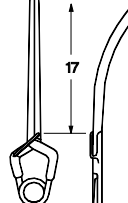
Clip Part No	50-025.25TI	50-025.26TI	50-025.27TI	50-025.28TI	50-025.29TI
Form					
Max Open	6,2 mm	5,6 mm	5,6 mm	5,6 mm	5,6 mm
Closing Force	1,47 N 150g	1,47 N 150g	1,47 N 150g	1,47 N 150g	1,47 N 150g

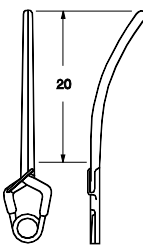
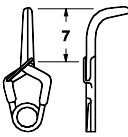
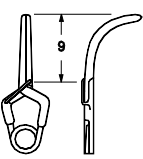
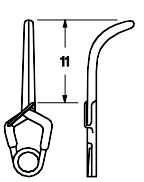
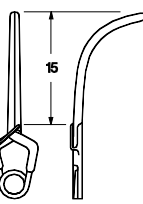
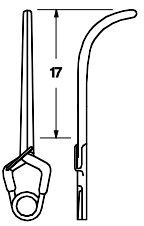
STANDARD TEMPORARY TITANIUM



Standard Temporary Titanium

Clip Part No	50-015.01TI	50-015.02TI	50-015.03TI	50-015.04TI	50-015.05TI	50-015.06TI
Form						
Max Open	6,2 mm	7,0 mm	7,8mm	9,2 mm	10,6 mm	11,4 mm
Closing Force	1,08 N 110g	0,88 N 90g	0,88 N 90g	0,88 N 90g	0,88 N 90g	1,08 N 110g

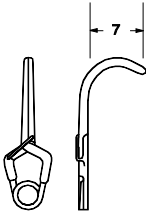
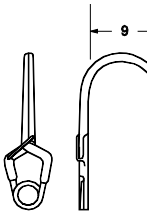
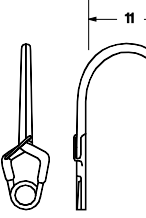
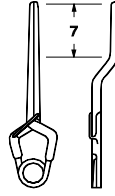
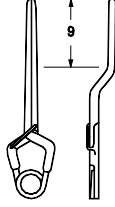
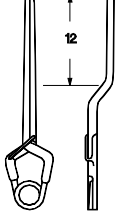
Clip Part No	50-015.07TI	50-015.08TI	50-015.09TI	50-015.10TI	50-015.11TI	50-015.46TI
Form						
Max Open	13,3 mm	6,0 mm	6,8 mm	7,5 mm	8,7 mm	9,8 mm
Closing Force	1,08 N 110g	1,08 N 110g	0,88 N 90g	0,88 N 90g	1,08 N 110g	1,08 N 110g

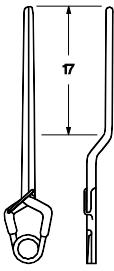
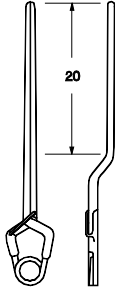
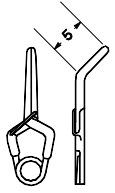
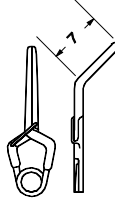
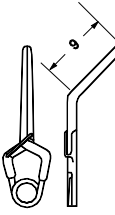
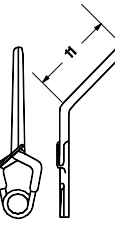
Clip Part No	50-015.12TI	50-015.13TI	50-015.14TI	50-015.15TI	50-015.16TI	50-015.17TI
Form						
Max Open	11,0 mm	5,5 mm	6,1 mm	6,5 mm	7,4 mm	9,9 mm
Closing Force	0,88 N 90g	1,08 N 110g	1,08 N 110g	1,08 N 110g	1,08 N 110g	0,88 N 90g

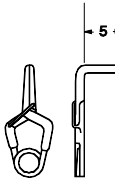
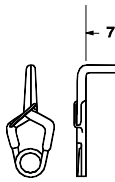
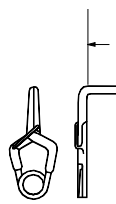
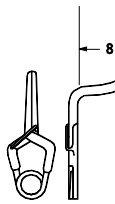
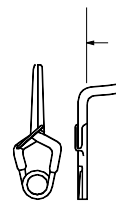
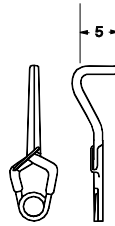


STANDARD TEMPORARY TITANIUM

Standard Temporary Titanium

Clip Part No	50-015.18TI	50-015.19TI	50-015.20TI	50-015.21TI	50-015.22TI	50-015.23TI
Form						
Max Open	5,4 mm	5,8 mm	6,2mm	7,9 mm	8,7 mm	10,2 mm
Closing Force	1,08 N 110g	1,08 N 110g	1,08 N 110g	0,88 N 90g	0,88 N 90g	0,88 N 90g

Clip Part No	50-015.24TI	50-015.25TI	50-015.26TI	50-015.27TI	50-015.28TI	50-015.29TI
Form						
Max Open	11,9 mm	13,0 mm	6,2 mm	6,5 mm	7,8 mm	8,4 mm
Closing Force	0,88 N 90g	0,88 N 90g	1,08 N 110g	1,08 N 110g	1,08 N 110g	1,08 N 110g

Clip Part No	50-015.30TI	50-015.31TI	50-015.32TI	50-015.33TI	50-015.34TI	50-015.35TI
Form						
Max Open	5,6 mm	5,6 mm	5,6 mm	5,4 mm	5,6 mm	7,2 mm
Closing Force	1,28 N 130g	1,28 N 130g	1,28 N 130g	1,28 N 130g	0,88 N 90g	0,88 N 90g

STANDARD TEMPORARY TITANIUM



Standard Temporary Titanium

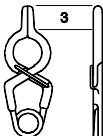
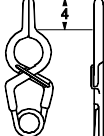
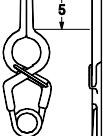
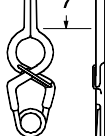
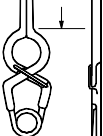
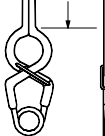


Clip Part No	50-015.36TI	50-015.37TI	50-015.38TI	50-015.39TI	50-015.40TI	50-015.42TI
Form						
Max Open	7,2 mm	8,2 mm	5,7 mm	8,0 mm	6,2 mm	8,0 mm
Closing Force	0,88 N 90g	0,88 N 90g	0,88 N 90g	0,88 N 90g	0,88 N 90g	0,88 N 90g

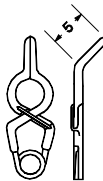
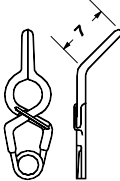
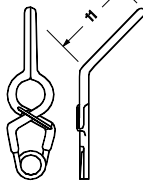
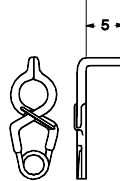
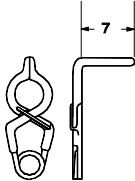
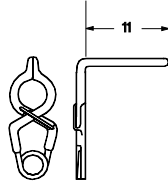


Clip Part No	50-015.43TI	50-015.44TI	50-015.45TI	50-015.41TI
Form				
Max Open	8,0 mm	8,0 mm	5,5 mm	7,5 mm
Closing Force	0,88 N 90g	0,88 N 90g	0,88 N 90g	0,88 N 90g



STANDARD TEMPORARY TITANIUM

Standard Temporary Fenestrated 3.5mm, Titanium

Clip Part No	50-022.10TI	50-022.11TI	50-022.12TI	50-022.01TI	50-022.02TI	50-022.03TI
Form						
 Max Open	7,4 mm	7,4 mm	7,4 mm	7,4 mm	8,4 mm	9,6 mm
 Closing Force	1,08 N 110g	1,08 N 110g	1,08 N 110g	1,08 N 110g	1,08 N 110g	0,88 N 90g

Clip Part No	50-022.04TI	50-022.05TI	50-022.06TI	50-022.07TI	50-022.08TI	50-022.09TI
Form						
 Max Open	5,8 mm	6,5 mm	7,2 mm	4,9 mm	4,9 mm	4,9 mm
 Closing Force	1,08 N 110g	1,08 N 110g	1,08 N 110g	1,08 N 110g	1,08 N 110g	1,08 N 110g

STANDARD TEMPORARY TITANIUM



Standard Temporary Fenestrated 5.0mm, Titanium

Clip Part No	50-027.30TI	50-027.31TI	50-027.32TI	50-027.01TI	50-027.02TI	50-027.03TI
Form						
Max Open	7,4 mm	7,4 mm	7,4 mm	7,9 mm	9,1 mm	10,3 mm
Closing Force	1,08 N 110g	1,08 N 110g	1,08 N 110g	1,08 N 110g	0,95 N 100g	0,88 N 90g

Clip Part No	50-027.04TI	50-027.05TI	50-027.06TI	50-027.07TI	50-027.08TI	50-027.09TI
Form						
Max Open	6,5 mm	7,2 mm	7,8 mm	5,5 mm	5,5 mm	5,5 mm
Closing Force	1,08 N 110g	1,08 N 110g	1,08 N 110g	1,08 N 110g	1,08 N 110g	0,88 N 90g

Clip Part No	50-027.10TI	50-027.11TI	50-027.12TI	50-027.13TI	50-027.14TI	50-027.15TI
Form						
Max Open	7,9 mm	8,8 mm	10,0 mm	5,8 mm	5,8 mm	5,8 mm
Closing Force	0,88 N 90g	0,88 N 90g	0,88 N 90g	1,08 N 110g	1,08 N 110g	1,08 N 110g



STANDARD TEMPORARY TITANIUM

Standard Temporary Fenestrated 5.0mm, Titanium

Clip Part No	50-027.16TI	50-027.17TI	50-027.18TI	50-027.19TI	50-027.20TI	50-027.21TI
Form						
Max Open	5,8 mm	5,8 mm	5,8 mm	7,0 mm	7,8 mm	8,8 mm
Closing Force	1,08 N 110g	1,08 N 110g	1,08 N 110g	1,08 N 110g	1,08 N 110g	1,08 N 110g

Clip Part No	50-027.22TI	50-027.23TI	50-027.24TI	50-027.25TI	50-027.26TI	50-027.27TI
Form						
Max Open	5,8 mm	6,2 mm	5,8 mm	6,2 mm	5,6 mm	5,6 mm
Closing Force	1,08 N 110g	1,08 N 110g	1,08 N 110g	1,08 N 110g	1,08 N 110g	1,08 N 110g

Clip Part No	50-027.28TI	50-027.29TI
Form		
Max Open	5,6 mm	5,6 mm
Closing Force	1,08 N 110g	1,08 N 110g



Yasargil Mini Aneurysm clip System



MINI PERMANENT TITANIUM

Mini Permanent Titanium

Clip Part No	50-030.01TI	50-030.02TI	50-030.03TI	50-030.04TI	50-030.05TI	50-030.06TI	50-030.07TI
Form							
Max Open	3,3 mm	4,0 mm	3,3 mm	4,0 mm	4,6 mm	3,2 mm	3,8 mm
Closing Force	1,08 N 110g	1,08 N 110g	1,08 N 110g	1,08 N 110g	1,08 N 110g	1,08 N 110g	1,08 N 110g

Clip Part No	50-030.08TI	50-030.09TI	50-030.10TI	50-030.11TI	50-030.12TI	50-030.13TI	50-030.14TI
Form							
Max Open	3,6 mm	3,8 mm	3,6 mm	4,0 mm	4,4 mm	3,6 mm	3,5 mm
Closing Force	1,08 N 110g	1,08 N 110g	1,08 N 110g	1,08 N 110g	1,08 N 110g	1,08 N 110g	1,08 N 110g

Clip Part No	50-030.15TI	50-030.16TI	50-030.17TI	50-030.18TI	50-030.19TI	50-030.20TI	50-030.21TI
Form							
Max Open	4,0 mm	3,5 mm	6,0 mm	7,0 mm	5,7 mm	4,5 mm	4,0 mm
Closing Force	1,08 N 110g	1,28 N 130g	1,28 N 130g	1,28 N 130g	1,28 N 130g	1,28 N 130g	1,28 N 130g

MINI TEMPORARY TITANIUM



Mini Temporary Titanium

Clip Part No	50-035.01TI	50-035.02TI	50-035.03TI	50-035.04TI	50-035.05TI	50-035.06TI	50-035.07TI
Form							
Max Open	3,3 mm	4,0 mm	3,3 mm	4,0 mm	4,6 mm	3,2 mm	3,8 mm
Closing Force	0,88 N 90g	0,69 N 70g	0,88 N 90g	0,69 N 70g	0,69 N 70g	0,88 N 90g	0,69 N 70g

Clip Part No	50-035.08TI	50-035.09TI	50-035.10TI	50-035.11TI	50-035.12TI	50-035.13TI	50-035.14TI
Form							
Max Open	3,6 mm	3,8 mm	3,6 mm	4,0 mm	4,4 mm	3,6 mm	3,5 mm
Closing Force	0,87 N 80g	0,69 N 70g	0,87 N 80g	0,69 N 70g	0,69 N 70g	0,87 N 80g	0,87 N 80g

Clip Part No	50-035.15TI	50-035.16TI	50-035.17TI	50-035.18TI	50-035.19TI	50-035.20TI	50-035.21TI
Form							
Max Open	4,0 mm	3,5 mm	6,0 mm	7,0 mm	5,7 mm	4,5 mm	4,0 mm
Closing Force	0,69 N 70g	0,69 N 70g	0,69 N 70g	0,69 N 70g	0,69 N 70g	0,69 N 70g	0,69 N 70g



Yasargil Applying Forceps

Yasargil Standard Applying Forceps



MEMORY, Titanium applying forceps

The memory shaft can be flexed in almost any direction. After sterilisation the memory shaft turns back into original bayonet condition

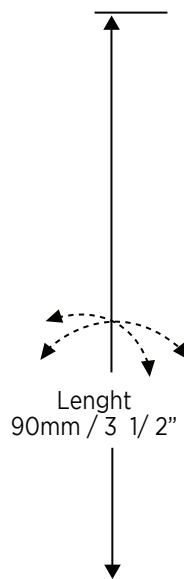


rotating

50-086.04TI
70 mm / 2 3/4"

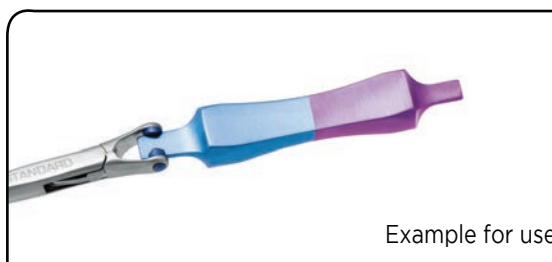
50-086.05TI
90 mm / 3 1/2"

50-086.06TI
110 mm / 4 1/3"



Length
90mm / 3 1/2"

50-011.02TI
Adjusting key



Example for use



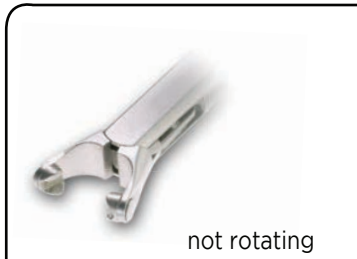
Fig.: 50-086.05TI



Yasargil Standard Applying Forceps

“Caspar” - Ring Handle, Titanium applying forceps

360° rotatable



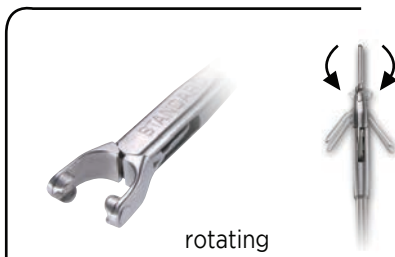
not rotating

50-055.02TI

160 mm / 6 1/4"

50-055.03TI

180 mm / 7"



rotating

50-056.02TI

160 mm / 6 1/4"

50-056.03TI

180 mm / 7"

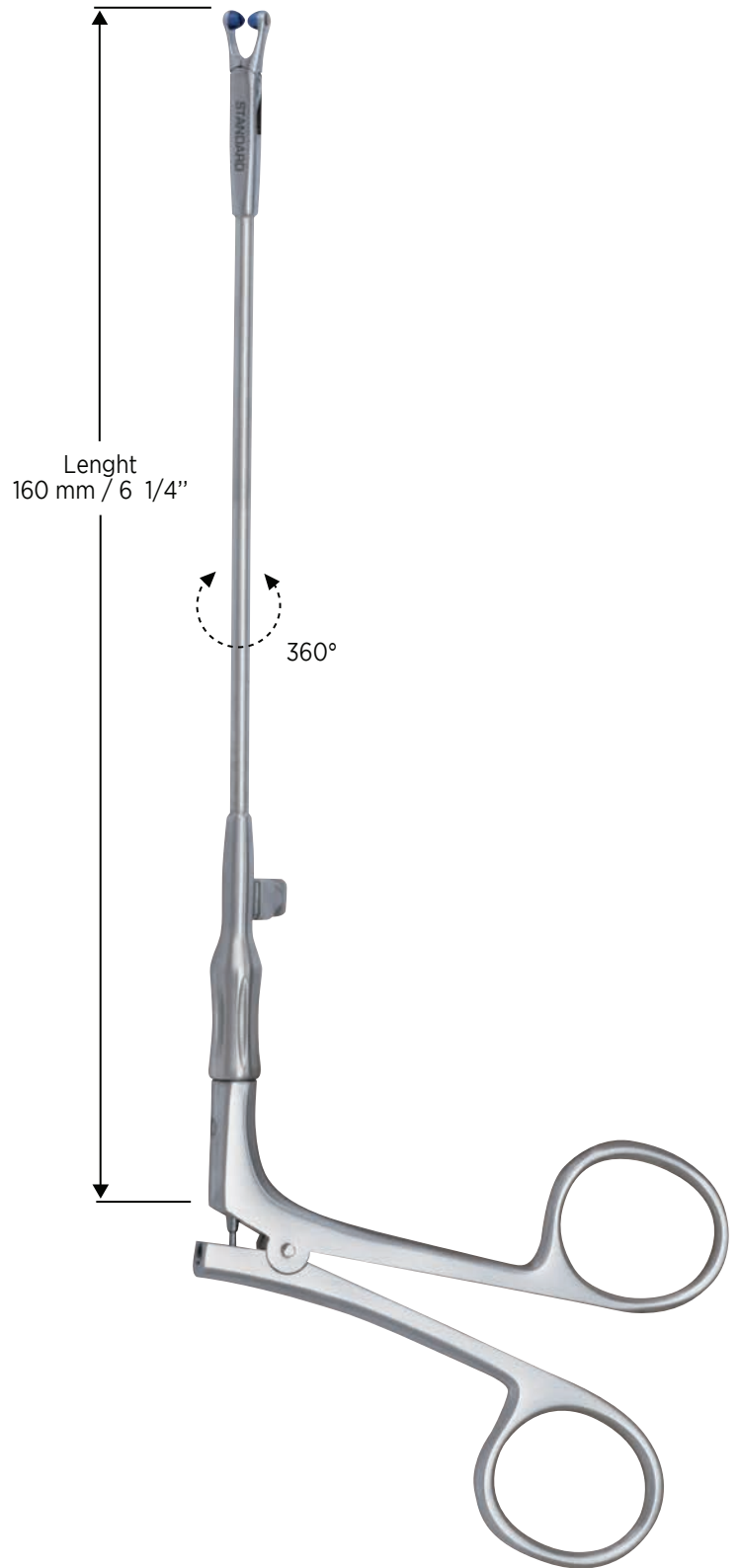
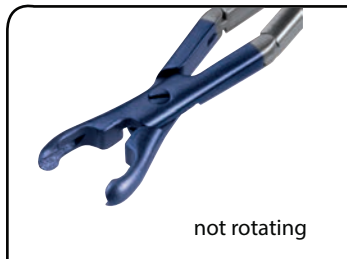


Fig.: 50-056.02TI



Titanium applying forceps



not rotating

50-110.01TI

190 mm / 7 1/2"

50-110.02TI

210 mm / 8 1/4"

50-110.03TI

230 mm / 9"



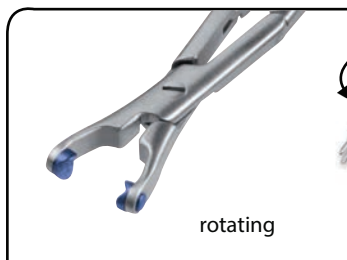
15° angled

50-110.06TI

210 mm / 8 1/4"

50-110.07TI

230 mm / 9"



rotating

50-111.02TI

210 mm / 8 1/4"

50-111.03TI

230 mm / 9"

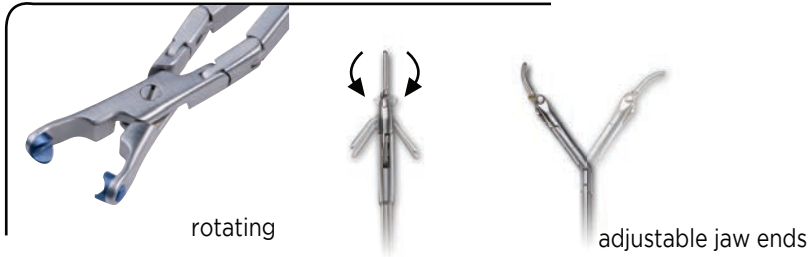


Fig.: 50-111.02TI



Yasargil Standard Applying Forceps

Titanium applying forceps



50-116.02TI
210 mm / 8 1/4"

50-116.03TI
230 mm / 9"

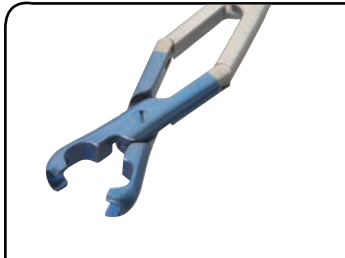
50-011.02TI
Adjusting key



Fig.: 50-116.02TI



Titanium Remover



50-011.03TI
210 mm / 8 1/4"



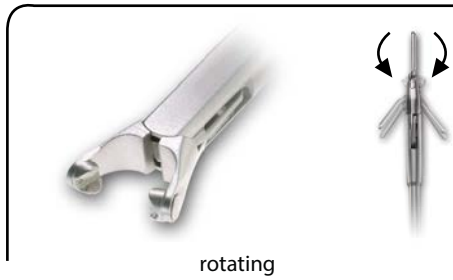
Fig.: 50-011.03TI



Yasargil Mini Applying Forceps

MEMORY, Titanium applying forceps

The memory shaft can be flexed in almost any direction.
After sterilisation the memory shaft turns back into original bayonet condition

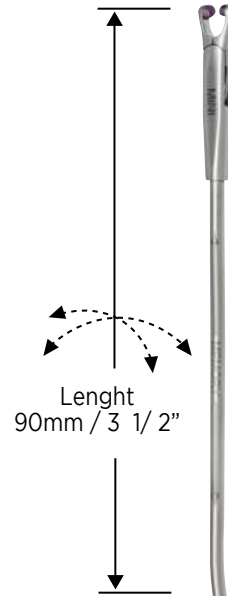


rotating

50-086.07TI
70 mm / 2 3/4"

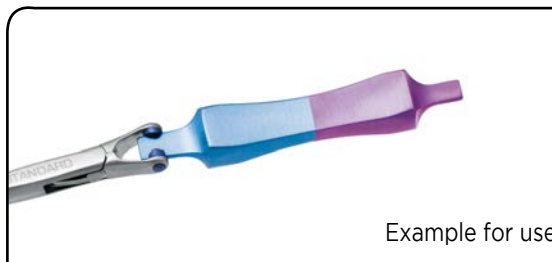
50-086.08TI
90 mm / 3 1/2"

50-086.09TI
110 mm / 4 1/3"



Length
90mm / 3 1/2"

50-011.02TI
Adjusting key



Example for use



Fig.: 50-086.08TI

Yasargil Mini Applying Forceps



“Caspar” - Ring Handle, Titanium applying forceps

360° rotatable



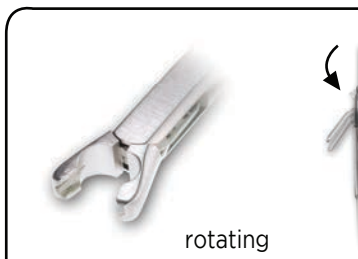
not rotating

50-050.02TI

160 mm / 6 1/4"

50-050.03TI

180 mm / 7"



rotating

50-051.02TI

160 mm / 6 1/4"

50-051.03TI

180 mm / 7"

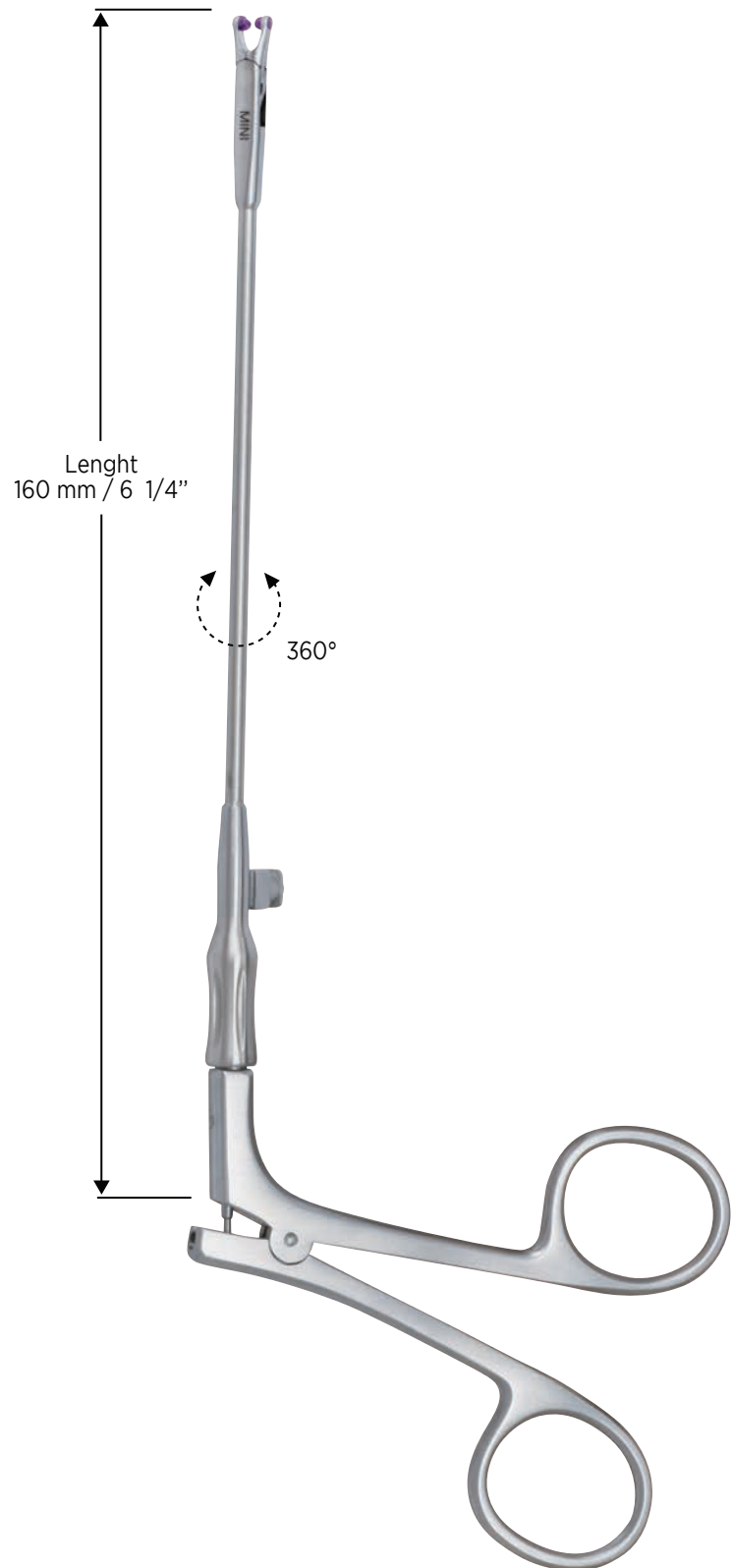
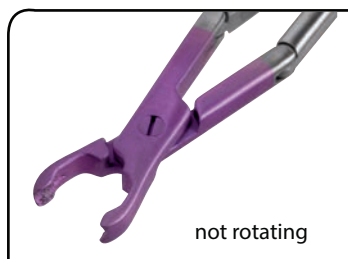


Fig.: 50-051.02TI



Yasargil Mini Applying Forceps

Titanium applying forceps



not rotating

50-120.01TI

190 mm / 7 1/2"

50-120.02TI

210 mm / 8 1/4"

50-120.03TI

230 mm / 9"



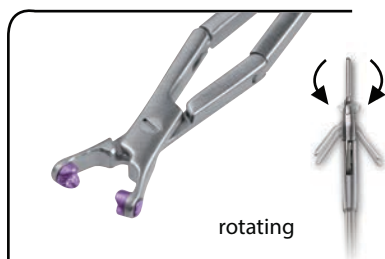
15° angled

50-120.04TI

210 mm / 8 1/4"

50-120.05TI

230 mm / 9"



rotating

50-121.02TI

210 mm / 8 1/4"

50-121.03TI

230 mm / 9"

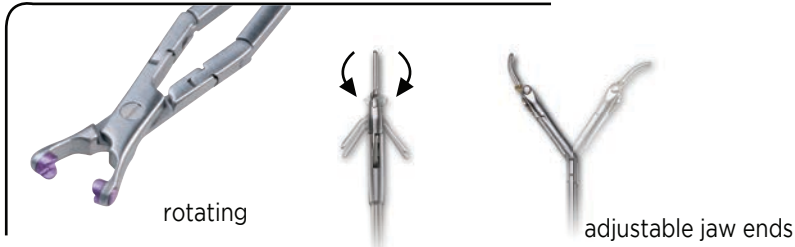


Fig.: 50-121.02TI

Yasargil Mini Applying Forceps



Titanium applying forceps



50-126.02TI
210 mm / 8 1/4"

50-126.03TI
230 mm / 9"

50-011.02TI
Adjusting key

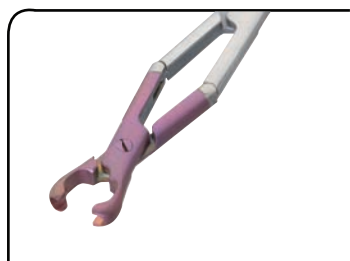


Fig.: 50-126.02TI



Yasargil Mini Applying Forceps

Titanium Remover



50-011.04TI

210 mm / 8 1/4"



Fig.: 50-011.04TI



Utility Tray for Storage & Sterilisation, Accessories

Sterilisation and Utility Tray for storage

Sterilisation and Utility Tray for Storage

50-000.10

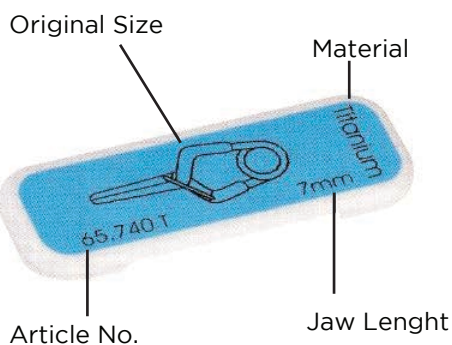
Storage tray

For 58Y-Aneurysm-Clips,
stacking system,
dim: 528 x 254 x 40mm,
with lid made out of PPSU,
for steam sterilisation up to 3 bar
(143°C / 289°F).

Stacking System



Locking System



Identification tags for clip storage tray 50-000.10 allow a simple identification and help by sorting the Aneurysm Clips into the tray.

The item number of the tag is as follows:

“TAG-” + Cat_ No. of clip

(e.g.: Tag-65.740 T is the tag for the Aneurysm Clip 65.740 T)

The tags for permanent Standard clips are **blue** and for permanent Mini clips **pink** coded. The TAGS for temporary clips are **yellow** coded.

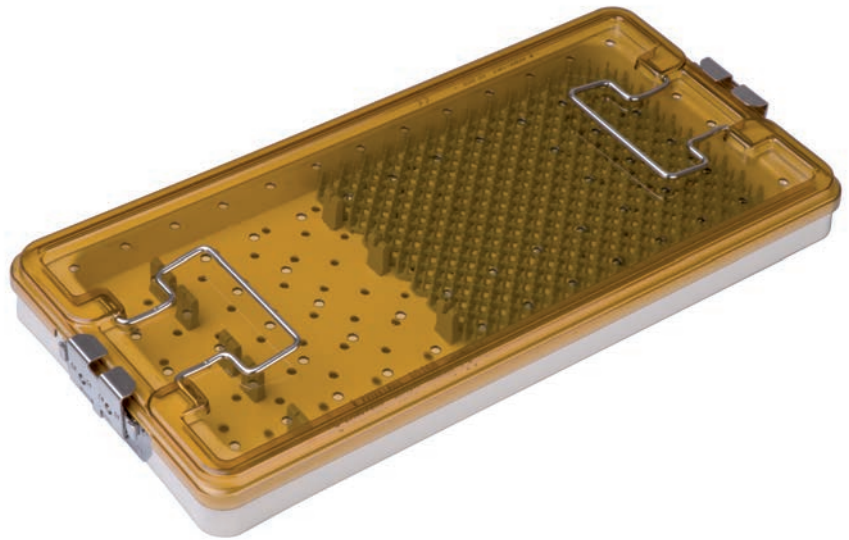


Sterilisation and Utility Tray for Storage

50-000.11

Storage Tray

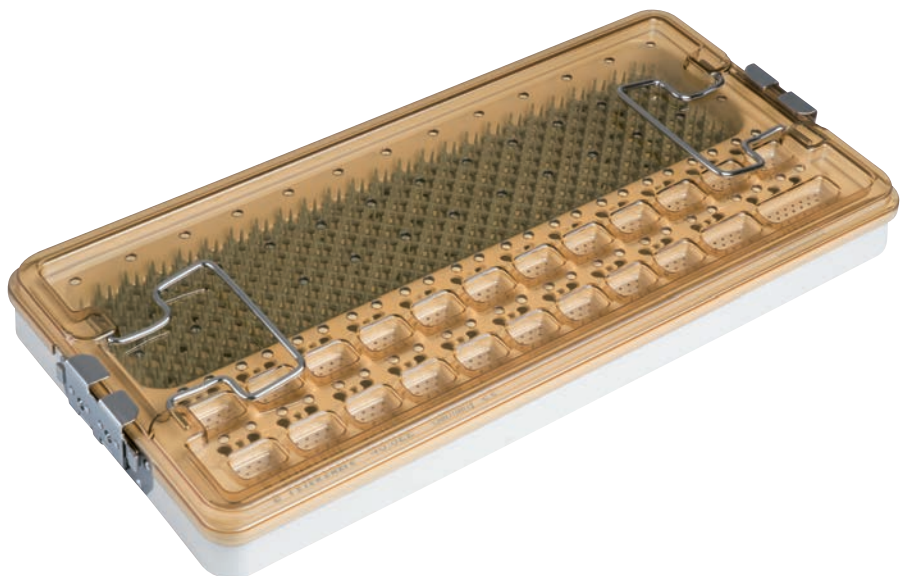
for clip appliers & instruments,
stacking system,
dim.: 528 x 254 x 40mm,
made out of PPSU,
for steam sterilisation up to 3 bar
(143°C / 289°F).



50-000.12

Storage Tray

for 23 Y-Aneurysm-Clips and clip
appliers, stacking system,
dim.: 528 x 254 x 40mm,
with lid made out of PPUS,
for steam sterilisation up to 3 bar
(143°C / 289°F).



Sterilisation and Utility Tray for storage

Sterilisation and Utility Tray for Storage

50-000.05

150 x 95 x 13mm space for 18 Clips. Made out of Stainless Steel.



50-000.06

210 x 125 x 17mm space for 18 Clips. Made out of Stainless Steel.



if you require customized labeling,
please ask for an offer.

ORIHOMEDICAL

G m b H · I M P L A N T S



Ortho-Medical GmbH | Hauptstrasse 5 | 78589 Dürbheim | Germany
Telefon +49(74 24)94 03-44 | mail@orthomedical.de | www.orthomedical.de

Edition 16/08
Printed in Malaysia · Copyright by ORTHO-MEDICAL GmbH, Implants ·
We reserve the right to make alterations.